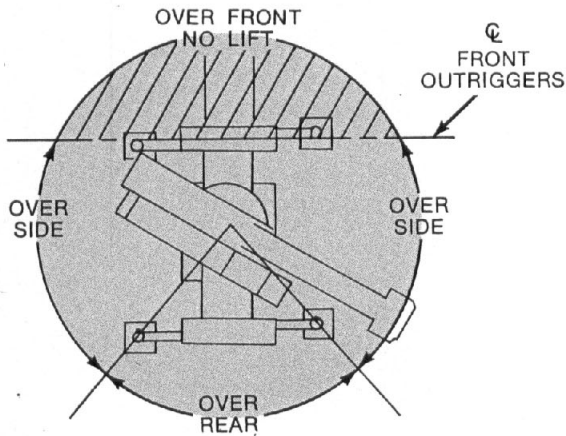


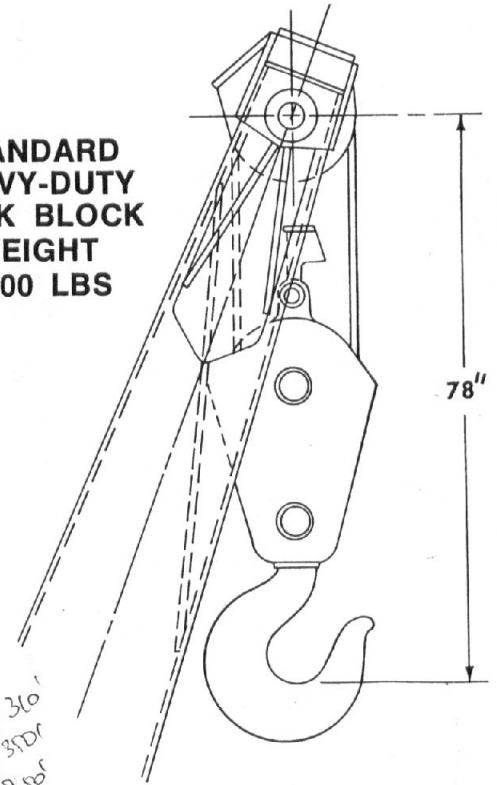
BOOM REACH AND HOOK HEIGHTS w/5' AND 10' EXT.

LIFTING AREAS ON OUTRIGGERS



NOTE: BOOM CROSSING (CENTERLINE OF FRONT OUTRIGGERS) IS CONSIDERED OVER THE FRONT
WARNING: NO OVER THE FRONT LIFTING RECOMMENDED

STANDARD HEAVY-DUTY HOOK BLOCK WEIGHT 1600 LBS



CABLE SPECIFICATIONS

CABLE FUNCTION	TYPE	BREAKING STRENGTH
BOOM HOIST CABLE	7/8" - 6 x 19 - IWRC	39.8 TONS (36.1 MT)
LOAD HOIST CABLE	7/8" - 6 x 37 - IWRC	37.8 TONS (34.3 MT)
DECK WINCH CABLE	3/4" - 6 x 19 - IWRC	29.4 TONS (26.7 MT)

*360
3500
2500*

PETTIBONE CORPORATION

Railroad Sales Division
 Sears Tower Suite 5700
 233 S. Wacker Drive
 Chicago, Illinois 60606

PETTIBONE**MODEL 200 RRC
HYDRAULIC TRUCK KRANE****RATED CAPACITIES
BASED ON 85% OF TIPPING
8 x 4 CARRIER**

WORKING RANGE OF BOOM...

**PETTIBONE 200 RRC LIFTING CAPACITIES
OUTRIGGERS FULLY EXTENDED**

Standard 25' Boom Fully Equipped			Standard 25' Boom Without Rail Gear			*Optional 30 & 35' Booms Fully Equipped		
RADIUS	OVER REAR	OVER SIDE	RADIUS	OVER REAR	OVER SIDE	RADIUS	OVER REAR	OVER SIDE
11	200,000	100,000	11	200,000	86,000			
12	199,000	96,000	12	195,000	82,600			
13	180,800	85,800	13	173,600	73,800	13	180,800	85,800
14	152,000	68,800	14	145,900	59,200	14	152,000	68,800
15	137,000	58,600	15	131,500	50,400	15	137,000	58,600
16	125,000	51,800	16	120,000	44,500	16	125,000	51,800
17	114,000	46,700	17	109,400	40,200	17	114,000	46,700
18	104,000	42,000	18	99,800	36,100	18	104,000	42,000
19	94,200	39,100	19	90,400	33,600	19	94,200	39,100
20	83,500	36,100	20	80,200	31,000	20	83,500	36,100
21	72,800	33,400	21	69,900	28,700	21	72,800	33,400
22	64,700	31,000	22	62,100	26,700	22	64,700	31,000
23	58,400	28,400	23	56,100	24,400	23	58,400	28,400
24	54,200	26,300	24	52,000	22,600	24	54,200	26,300
25	51,400	24,600	25	49,300	21,200	25	51,400	24,600
26	49,500	22,900	26	47,500	19,700	26	49,500	22,900
						27	42,000	22,300
						28	40,300	19,900
						29	38,600	18,400
						30	36,500	17,000
						31	34,800	15,000
						32	32,700	13,500
						33	30,600	11,800
						34	28,800	11,100
						35	27,100	8,400
						36	25,400	6,600

*Minimum radius for 30' boom is 13'.

*Minimum radius for 35' boom is 15'.

*Maximum of 9 parts of line on hook block when using a 30' boom.

*Maximum of 7 parts of line on hook block when using a 35' boom.

200 RRC LIFTING CAPACITY AND SAFETY INSTRUCTIONS

1. Rated lifting capacities are the freely suspended maximum loads covered by the manufacturer's warranty with the machine standing on firm, uniform and level surface, with outriggers fully extended and locked down, and with gantry pinned in work position.

2. Radius of load is the horizontal distance from a projection of axis of rotation before loading, to the center of vertical hoist line or tackle with load applied.

3. At radii where no ratings are shown on the chart, operation is not intended, or approved.

4. The weight of all auxiliary handling devices such as hoist blocks, hooks and slings is considered as part of the load.

5. Practical working loads shall be established by the user and depend on supporting surface, wind, proper operating speeds, and in general, careful and competent operation.

6. Handling of personnel from the boom is not authorized.

7. The winches on this crane are equipped with automatic (Fail-Safe), spring set, hydraulic released brakes.

8. Load handling devices should be kept at a minimum of 12" below the boom point when lowering boom to prevent two blocking.

9. Lifting over the front of carrier is not allowed and can cause an unsafe condition resulting in structural damage to carrier chassis.

10. When using optional length 30' boom the load hoist line shall be limited to 9 parts of line on the hook block.

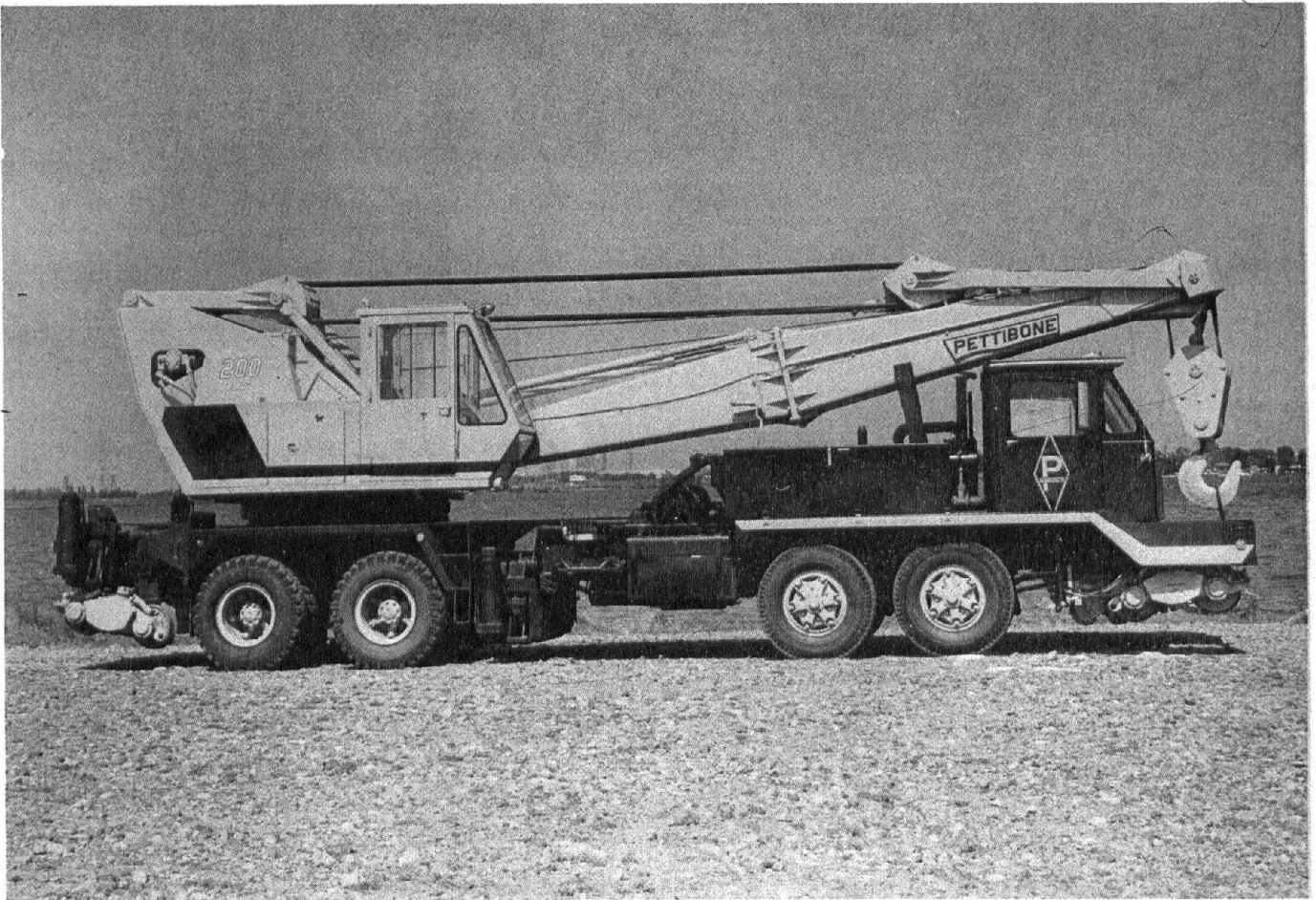
11. When using optional length 35' boom the load hoist line shall be limited to 7 parts of line on the hook block.

12. Operator should be familiar with federal, state and local safety regulations. The operator's failure to adhere to recommended safety practices may result in serious personal injury and equipment damage.

13. The use of cranes and all attendant devices is subject to certain hazards that cannot be protected against by mechanical means, but only by the exercise of intelligence, care and common sense. It is therefore essential to have competent and careful operators, physically and mentally fit, and thoroughly trained in the safe operation of cranes and all devices attached thereto.

PETTIBONE

200 RRC KRANE



MODEL 200 RRC AXLE WEIGHT DISTRIBUTION

Machine equipped with standard 25' (7.62 m) boom, front and rear outriggers,
front and rear Hy-Rail equipment, 100 ton hook block
and optional deck winch mounted

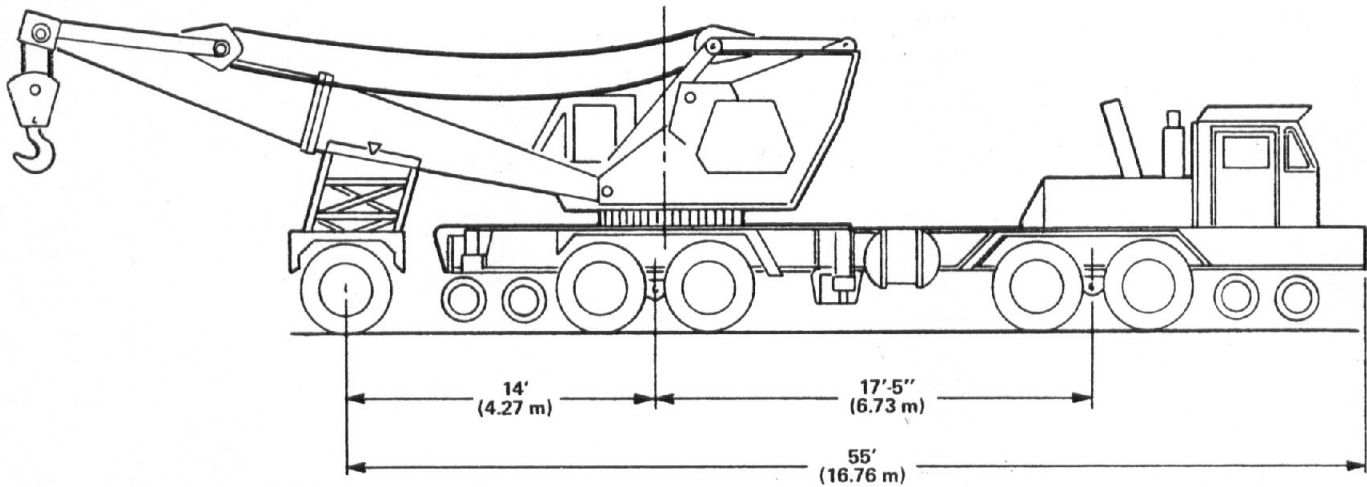
	G.V.W.		Front Tandem		Rear Tandem	
	lbs.	kgs.	lbs.	kgs.	lbs.	kgs.
Machine equipped as above	81,500	36 968	33,250	15 082	48,250	21 886
Machine equipped as above, with only Front Hy-Rail equipment removed	77,800	35 290	27,800	12 610	50,000	22 680
Machine equipped as above, with only Rear Hy-Rail equipment removed	77,900	35 335	34,600	15 695	43,300	19 640
Machine equipped as above, with Front and Rear Hy-Rail equipment removed	74,000	33 566	29,500	13 381	44,500	20 185
Machine equipped as above, with Front and Rear Hy-Rail equipment and Rear Outrigger removed	70,300	31 889	31,000	14 062	39,300	17 827

All of above figures are subject to manufacturer's tolerances.

PETTIBONE

MODEL 200 RRC KRANE

AXLE WEIGHT DISTRIBUTION WITH BOOM TRAILER



Machine equipped with standard 25' (7.62 m) boom, front and rear outriggers, front and rear Hy-Rail equipment, 100 ton hook block and optional deck winch mounted.

	G.V.W.		Front Tandem		Rear Tandem		Trailer	
	lbs.	kgs.	lbs.	kgs.	lbs.	kgs.	lbs.	kgs.
Machine equipped as above	83,200	37 740	26,600	12 066	41,600	18 870	15,000	6 804
Machine less rear Hy-Rail equipment	79,600	36 107	27,700	12 565	36,900	16 738	15,000	6 804
Machine less Rear and Front Hy-Rail equipment	76,000	34 473	22,900	10 387	38,100	17 282	15,000	6 804

All of above figures are subject to manufacturer's tolerances.



PETTIBONE CORPORATION

Railroad Sales Division
Sears Tower—Suite 5700
233 S. Wacker Drive
Chicago, Illinois 60606