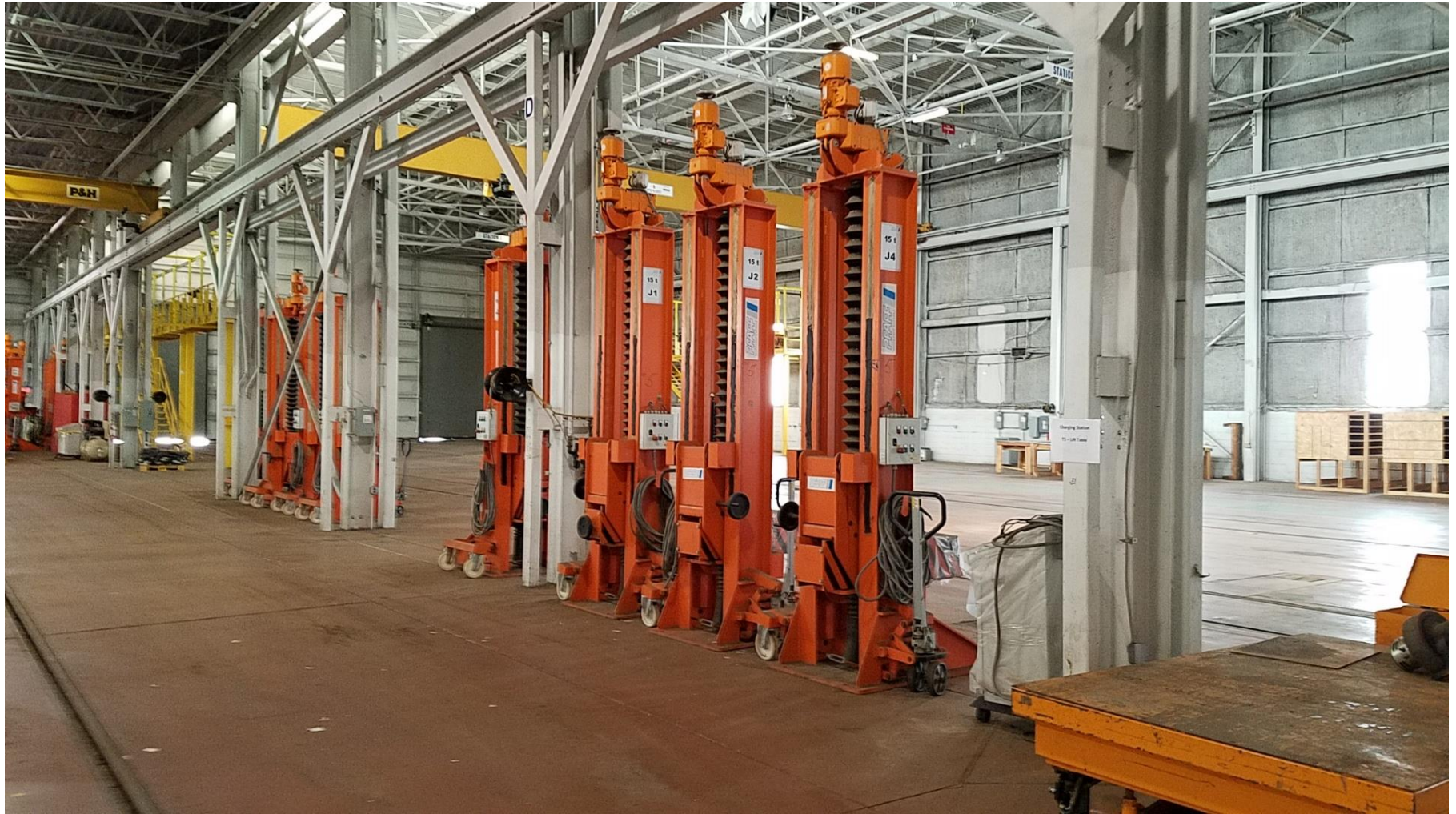
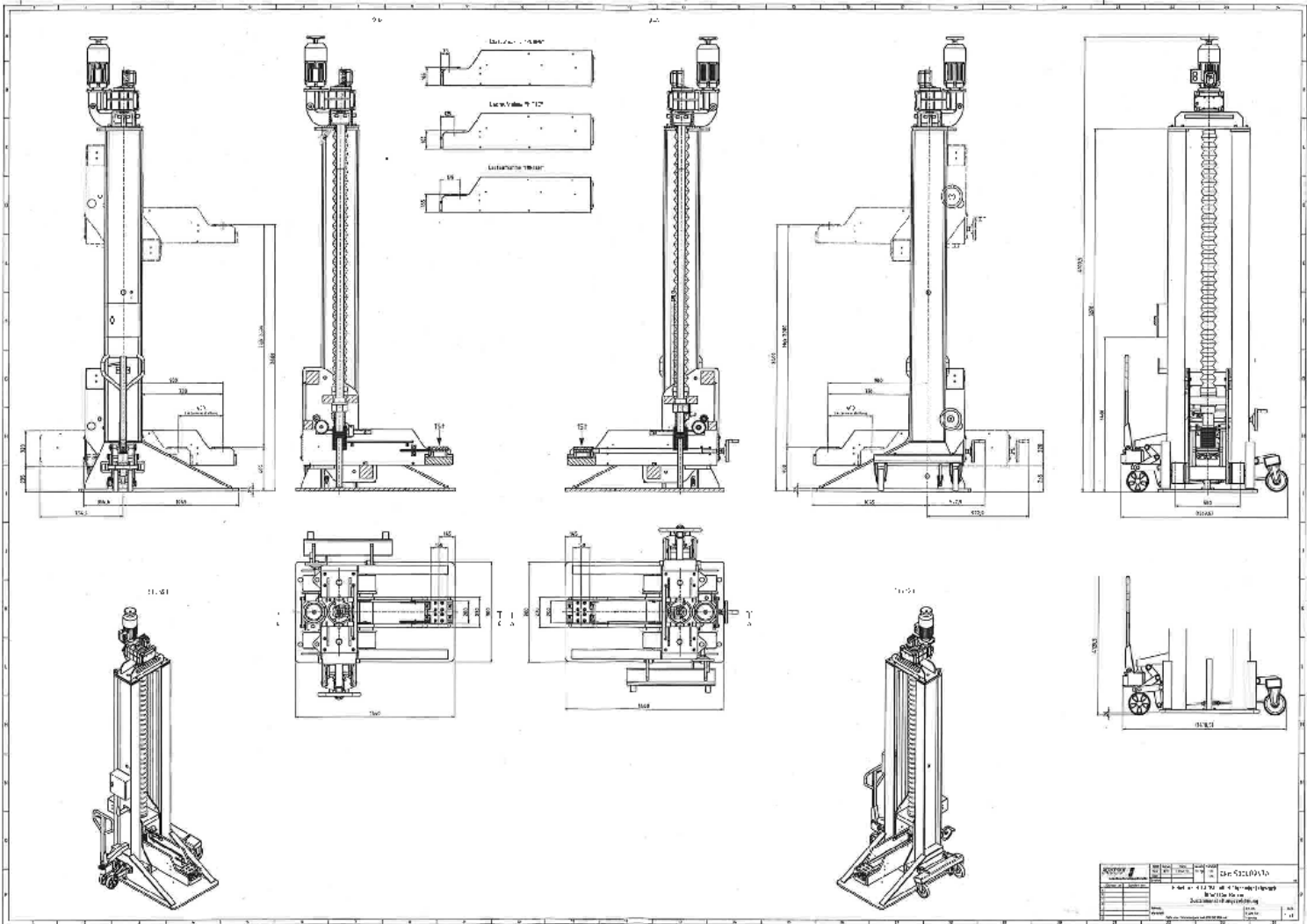

PFAFF15 TON MOBILE JACKS with SYNCRONIZED CONTROLLER

- **Four complete sets of 15 Ton Capacity Electric Lifting Jacks Manufactured by PFAFF Germany.**
- **Jacks have been lightly operated by Car Builder for end-of-line production inspection of Single and Bi-level Passenger Rail Cars, site inspection recommended.**
- **There are Four Sets of 4 each Jacks**
- **Each Set of Jacks includes a Synchronized Controller Module expandable to from 2 up to 8 Jacks or more**
- **Complete Manuals for Jacks and Controllers are furnished with the units**
- **Jacks will be commissioned and tested prior to Turn-over at Buyers location**
- **Warranty 180 days.**

- Traverser-Transfer Tables Pics



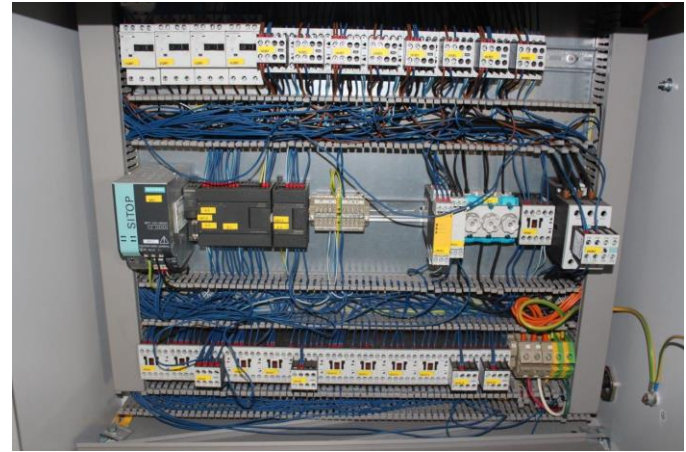




Item	Value
1	1300
2	1500
3	1300
4	1500
5	1300
6	1500



MOBILE JACKS CONTROLLER, TYPICAL



Mobile Hoists being loaded on Low-Boy Trailer with Overhead Crane,

